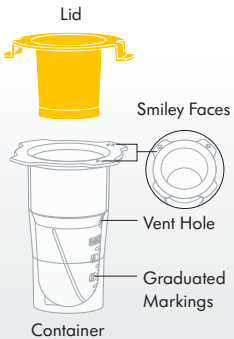
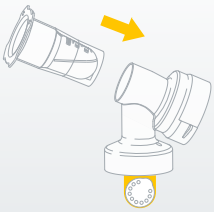


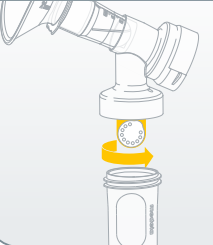


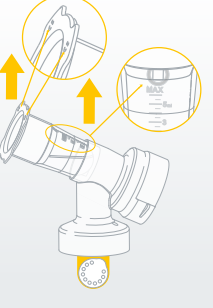
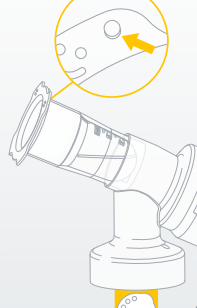


Colostrum Protector Quick Start Guide

Step by step guide on how to assemble and use the Colostrum Protector



How to assemble your Colostrum Protector

Parts & Features	1	2	3	4
	<p>Attach the collector to Symphony® breast pump kit connector.</p> 	<p>Ensure correct orientation* to allow for venting and prevent colostrum from spilling from the vent hole into the container below.</p> 	<p>Attach the breast shield to the top of the Colostrum Protector.</p> 	<p>Assemble the breast pump kit.</p> 

*Correct Orientation Tips:


*Correct Orientation Tips:	Correct Assembly	Incorrect Assembly
<p>Ensure the side with the smiley faces, vent hole, and graduated markings are facing up ↑.</p> <p>NOTE: The side with nothing on it should be facing down ↓.</p> 	<p>Low visibility – feel for the bumps on the back of the smiley faces.</p> 	
		

How to disassemble your Colostrum Protector

1	2	3	4
<p>Remove the Colostrum Protector from the connector, leaving the breast shield attached.</p> 	<p>Place on a flat surface.</p> 	<p>Remove the breast shield.</p> 	<p>Secure the lid.</p> 



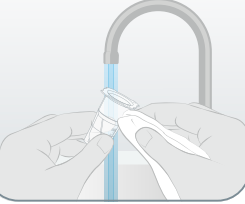

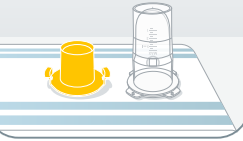
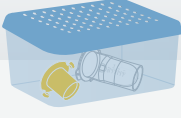
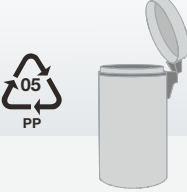
More information

Scan the QR code for further information about your Colostrum Protector



Wash after each use*

Wash in a dedicated wash basin

<p>1</p> <p>Rinse with clear water.</p>	<p>2</p> <p>In a dedicated wash basin for breast pump parts, soak in warm, soapy water for 5 minutes.</p> <ul style="list-style-type: none">• Do not place directly in the sink.	<p>3</p> <p>Wash with a clean dishcloth or soft brush.</p>	<p>4</p> <p>Rinse with clear water.</p>	<p>5</p> <p>Place on a clean surface and/or towel and allow to air dry.</p>
				
<p>6</p> <p>Store in a clean, cool place when not in use. Do NOT store wet or damp parts.</p>	<p>7</p> <p>Discard or recycle after 24-hours of use according to local regulations or hospital protocol.</p>			
				

***When using the Colostrum Protector for infants in the NICU, follow HMBANA best practice, which recommends using a new container for each pumping sessions.[†]**

Content appearance may vary.

Refer to product instructions for use for complete instructions.

[†] Jones, F. Best Practice for Expressing, Storing, and Handling Human Milk in Hospitals, Homes, and Child Care Settings. 4th ed Fort Worth, TX: Human Milk Banking Association of North America, Inc. (2019), pg 59
Medela wordmark and logo and Symphony are registered in the U.S. Patent and Trademark Office and the Canadian Intellectual Property Office. Science of Care is a trademark of Medela.
15400097 B 0823© 2023 Medela